

Question 1

For the circuit of Fig. 1, find an expression for $i_L(t)$ valid for all t .

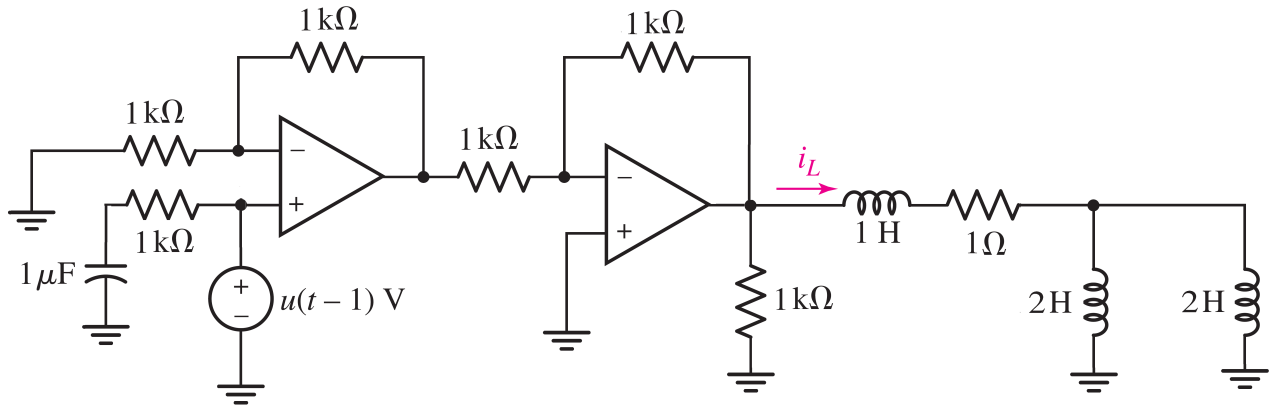


Figure 1: A circuit for which the current $i_L(t)$ is desired.

Mohammad Hadi