

### Question 1

Verify Tellegen's theorem for the circuit of Fig. 1. Provide full description for each step of calculations.

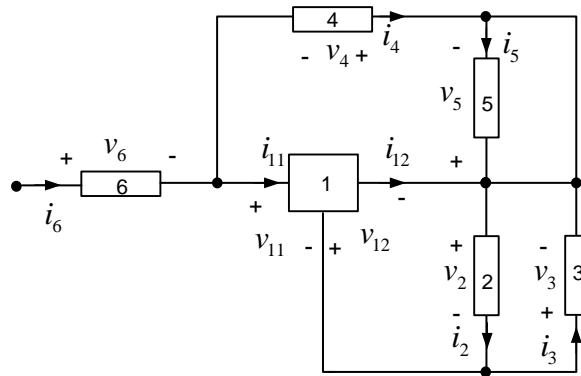


Figure 1: A lumped circuit.

Mohammad Hadi