

### Question 1

Use circuit analysis to find and plot the  $iv$  curve of the diode circuit shown in Fig. 1(a), where the diodes are described by the characteristic curve given in Fig. 1(b).

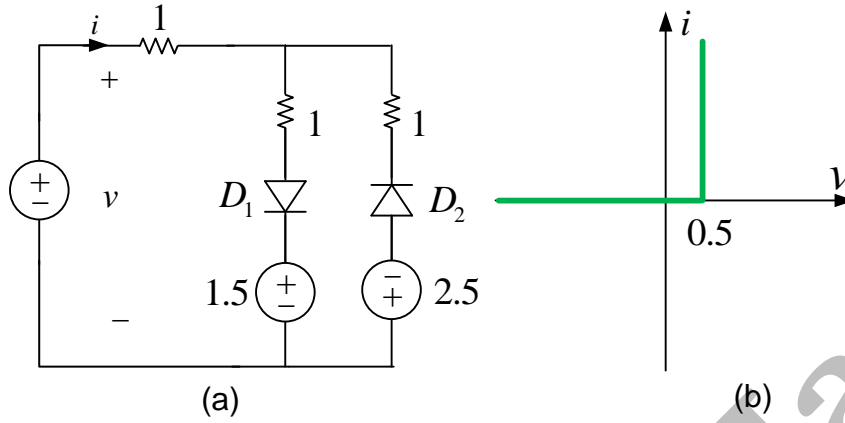


Figure 1: (a) Diode circuit (b) diode characteristic curve.

Mohammad Hadi