

Question 1

Calculate the response of $v_o(t)$ in Fig. 1 when $i_s(t) = \delta(t)$, $v_c(0^-) = 0$, and $i_L(0^-) = 0$.

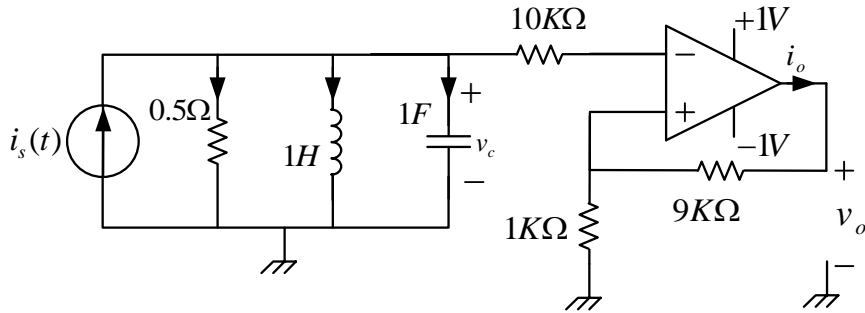


Figure 1: An op-amp circuit.

Mohammad Hadi